

040-7300 Push Button Handle—Water Resistant



This stylish push button handle is designed for off-highway vehicle applications that require a surface mounted exterior push button handle.

FEATURES/BENEFITS:

- 2 bolt 165mm mounting or threaded boss 136mm mounting
- Readily adaptable to a variety of door thickness using various cams
- Suitable for mounting to glass, steel and composite surfaces
- 12mm button travel
- Water resistant to IPX5 (IEC529 edition 2.1 2001/2002)
- Easy to operate (ergonomic)

TriMark Europe
Cedar Court
Walker Road
Bardon Hill
Coalville LE67 1TU
United Kingdom
Tel: +44(0)1530 512460
Fax: +44(0)1530 512461
www.trimarkeu.com

TriMark Corporation
500 Bailey Avenue
P.O. Box 350
New Hampton, IA 50659
United States
Tel: 641-394-3188
Fax: 641-394-2392
1-800-447-0343
www.trimarkcorp.com

TriMark Xuzhou
Building A5 Jinwu Road
Xuzhou Economic
Development Zone
Xuzhou, Jiangsu
221004 PR China
Tel: +86 516 8773 0018
Fax: +86 516 8773 0058
www.trimarkcn.com

040-7300 Push Button Handle—Water Resistant

AVAILABLE:

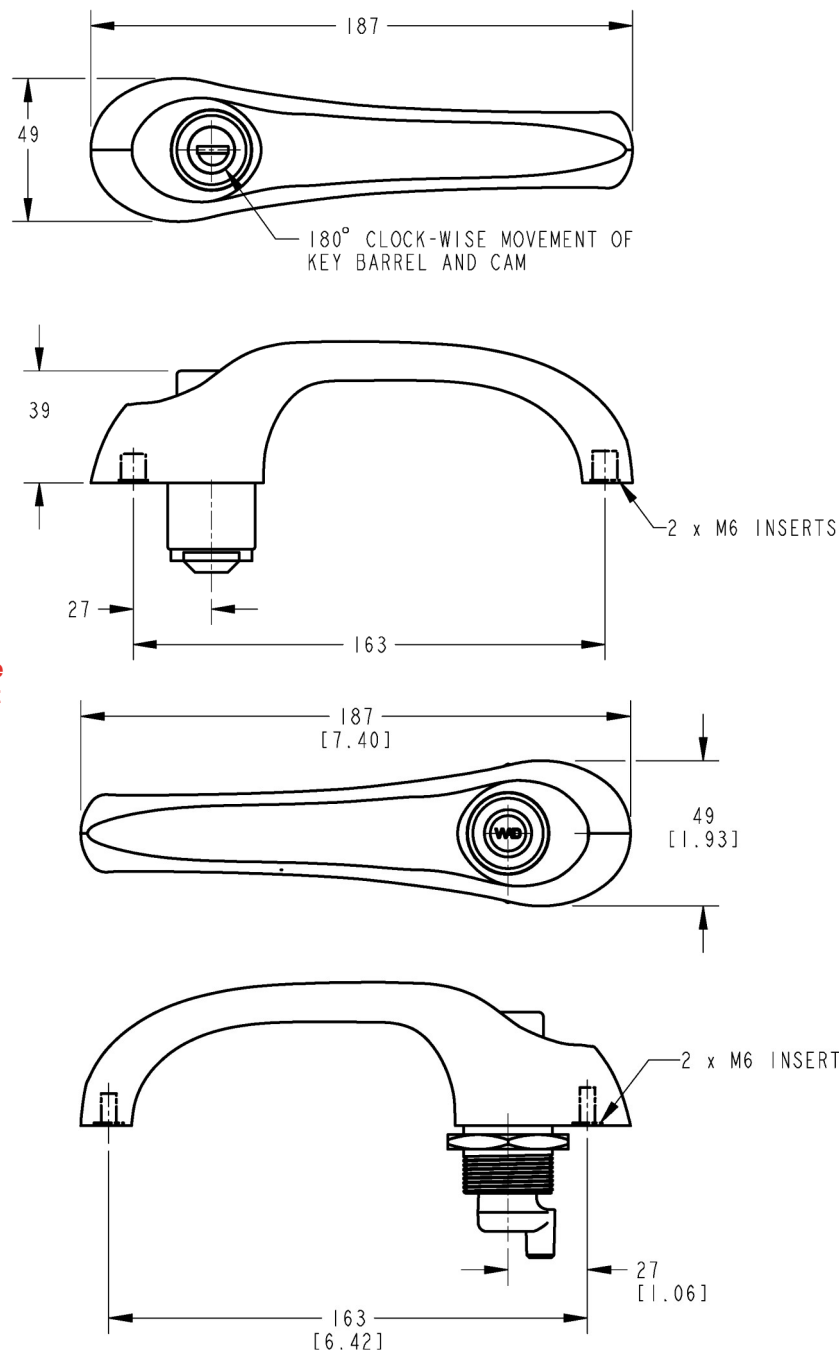
- Can be keyed alike with most single and reversible key systems or non-locking configurations
- Locked rigid or free-floating versions

MATERIAL:

- Handle/Button: Glass reinforced nylon
- Brass threaded inserts for conventional 2 hole fixing
- Brass nut for boss mount

INSTALLATION:

- Installed with (2) M6 x 1.0 bolts (not included) or with M30 brass nut (included) and (1) M6 x 1.0 bolt (not included)
- Mounts against glass with only 2 holes
- Available with mounting gaskets
- Recommended mounting fastener torque to be 6-8 N-m (50-59 lbf-in)



All dimensions are for reference only. For more information visit www.trimarkcorp.com